

LBX-830S

Fiber coupled
Diode based laser source

PRELIMINARY

Optical characteristics *

Emission wavelength	830 nm (± 0.5 nm tolerance)
Wavelength stability over 8 hours, temperature within $\pm 3^{\circ}\text{C}$	≤ 10 pm
Spectral linewidth, FWHM	100 pm
Side mode suppression ratio	≥ 35 dB

— Optical power

Part number	Delivery on multi-mode fiber
LBX-830S-450-MM (OE/PPA)	450 mW
LBX-830S-600-MM (OE/PPA)	600 mW
LBX-830S-800-MM (OE/PP)	800 mW

Power stability over 8 hours, temperature within $\pm 3^{\circ}\text{C}$	$\pm 1\%$
Control modes	Automatic Current Control (ACC)

— Multimode delivery fiber

Core diameter	105 μm
Numerical aperture	0.22
Total fiber length	100 cm
Optical connector	FC/APC
Cable jacket	\varnothing 3 mm protective tubing

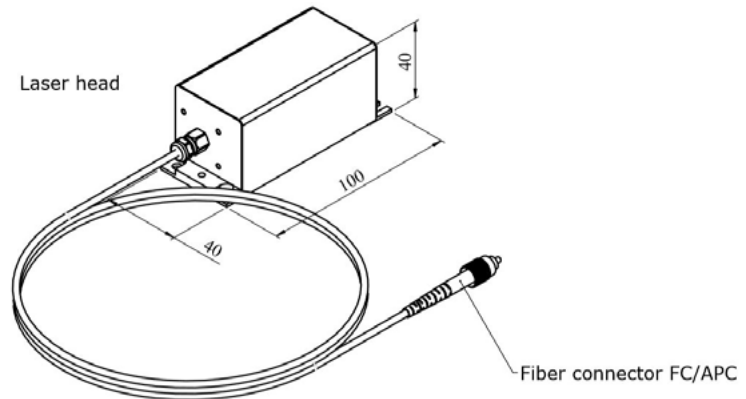
*Specifications at nominal power

General specifications

	Plug and Play version	OEM version
Compliance	CE FDA 21 CFR 1040.10/1040.11	FDA 21 CFR 1040.10 / 1040.11
Operating temperature	15 to 25°C ambient air with optional heat sink	20 to 35°C baseplate
Power consumption	10 W max.	
Storage temperature	0 to 60°C	
Supply voltage	100 to 240 VAC external power supply	5 to 12 VDC
Warm-up time	≤ 2 minutes	
Interfaces	USB ControlBoxx controller	USB, RS-232, electronic interface



Mechanical drawings



Plug and Play version provide with:

- ControlBoxx
- DC power supply

Available options

- Heat sink for operation in ambient air up to 38°C

Warranty : 12 months from shipment date



CONTACT US

Oxxius S.A
4 rue Louis de Broglie
F-22300 Lannion, France

Phone : +33 296 48 70 28
sales@oxxius.com
www.oxxius.com