

# LPX-561S

DPSS

## Optical characteristics \*

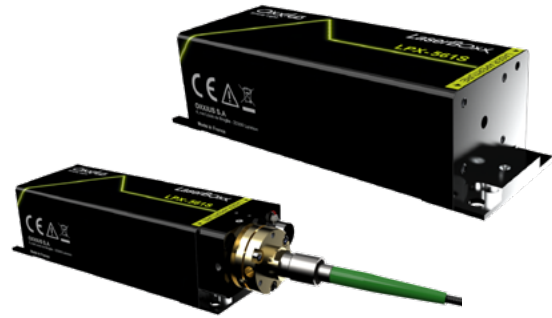
<b>Emission wavelength</b>	561.4 nm ( $\pm 0.4$ nm)	
<b>Wavelength stability</b> over 8 hours and $\pm 3^\circ\text{K}$	$\leq 1$ pm	
<b>Linewidth</b>	$\leq 0.1$ nm	
<b>Coherence Length</b>	$\geq 100$ m	
<b>Output power</b>	<b>Free space</b>	<b>Fiber coupled</b>
	300 mW	210 mW
<b>Control mode(s)</b>	Automatic Power Control (APC)	
<b>Power stability</b> over 8 hours and within $\pm 3\text{k}$	$\pm 1\%$	
<b>Power adjustment range</b> optional	with L1C MPA/AOM	
<b>Optical noise</b> %RMS, 10Hz - 20 MHz bandwidth	$\leq 0.2\%$	

## — Transverse singlemode free-space beam

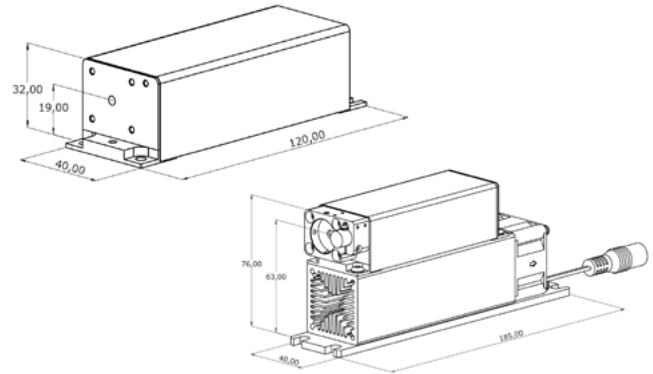
<b>Beam waist diameter (typ)</b> at $1/e^2$ , 50mm from output aperture	0.7 mm ( $\pm 0.1$ mm)
<b>Beam divergence</b> at $1/e^2$ , full angle, in far field	1.0 to 0.2 mrad
<b>Beam quality factor (<math>M^2</math>)</b>	$\leq 1.1$
<b>Beam circularity,</b> in far field	$\geq 90\%$
<b>Polarization extinction ratio (typ)</b>	1000:1
<b>Polarization state</b>	linear, vertical at $\pm 5^\circ$

## Fiber coupling option

Specifications	SM and PM Fiber	MM Fiber (50 $\mu\text{m}$ , 0.22 NA)
Coupling Efficiency	$\geq 70\%$	$\geq 80\%$
Polarization Ratio (PMF only)	100 : 1	n/a
Fiber Output Connector	FC-APC FC/PC, FCP8 on demand	FC-APC
Power stability over 8 hours and within $\pm 3\text{k}$	$\pm 2\%$	$\pm 2\%$
Fiber length	2.0 m	2.0 m



## System specifications



## — Plug and Play version provided with :

- Electro-mechanical shutter
- ControlBoxx
- Power supply

## Other options

- Heat sink

## General specifications

	Plug and Play version	OEM version
<b>Compliance</b>	CE FDA 21 CFR 1040.10/1040.11	FDA 21 CFR 1040.10 / 1040.11
<b>Operating temperature</b>	10 - 38°C ambient air with optional heat sink	10 - 50°C baseplate
<b>Power consumption</b>	$\leq 25$ W	$\leq 20$ W
<b>Storage temperature</b>	0 to 60°C	
<b>Supply voltage</b>	100 to 240 VAC external power supply	5 to 12 VDC
<b>Warm-up time</b>	$\leq 10$ minutes	
<b>Interfaces</b>	USB, RS-232, dedicated electronic interface	

\*Specifications at nominal power

Warranty : 18 months from shipment date



## CONTACT US

Oxxius S.A  
4 rue Louis de Broglie  
F-22300 Lannion, France

Phone : +33 296 48 70 28  
sales@oxxius.com  
www.oxxius.com