

# LCX-532L

DPSS

## Optical characteristics \*

Emission wavelength	532.3 nm ( $\pm 0.5$ nm)	
Linewidth	$\leq 0.1$ nm	
Output power	<b>Free space</b>	<b>Fiber coupled</b>
	50 mW	35 mW
	100 mW	70 mW
	150 mW	105 mW
	200 mW	140 mW
	300 mW	210 mW
Control mode(s)	Automatic Power Control (APC)	
Power stability over 8 hours and within $\pm 3k$	$\pm 1\%$	
Power adjustment range optional	30 - 100% 0 - 100% with L1C-MPA	
Optical noise %RMS, 10Hz - 20 MHz bandwidth	$\leq 0.2\%$	

## — Transverse singlemode free-space beam

Beam waist diameter (typ) at $1/e^2$ , 50mm from output aperture	0.7 mm ( $\pm 0.1$ mm)
Beam divergence at $1/e^2$ , full angle, in far field	1.0 to 0.2 mrad
Beam quality factor ( $M^2$ )	$\leq 1.1$
Beam circularity, in far field	$\geq 90\%$
Polarization extinction ratio (typ)	1000:1
Polarization state	linear, vertical at $\pm 5^\circ$

## — Modulation functions

Optional

L1C-AOM

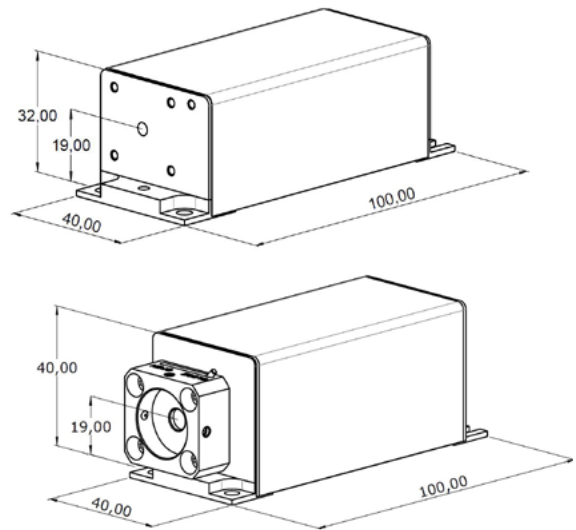
DC - 3 MHz

## Fiber coupling option

	SM and PM Fiber	MM Fiber (50 $\mu$ m, 0.22 NA)
Coupling Efficiency	$\geq 70\%$	$\geq 80\%$
Polarization Ratio (PMF only)	100 : 1	n/a
Fiber Output Connector	FC-ACPC/FC/PC, FCP8 on demand	FC-APC
Power stability over 8 hours and within $\pm 3k$	$\pm 2\%$	$\pm 2\%$
Fiber length	2.0 m	2.0 m



## System specifications



## — Plug and Play version provided with :

- Electro-mechanical shutter
- ControlBoxx
- Power supply

## Other options

- Heat sink
- Clean-up filter

## General specifications

	Plug and Play version	OEM version
Compliance	CE FDA 21 CFR 1040.10/1040.11	FDA 21 CFR 1040.10 / 1040.11
Operating temperature	10 - 38°C ambient air with optional heat sink	10 - 50°C baseplate
Power consumption	$\leq 25$ W	$\leq 20$ W
Storage temperature	0 to 60°C	
Supply voltage	100 to 240 VAC external power supply	5 to 12 VDC
Warm-up time	$\leq 10$ minutes	
Interfaces	USB, RS-232, dedicated electronic interface	

Warranty : 18 months from shipment date

\*Specifications at nominal power



## CONTACT US

Oxxius S.A  
4 rue Louis de Broglie  
F-22300 Lannion, France

Phone : +33 296 48 70 28  
sales@oxxius.com  
www.oxxius.com