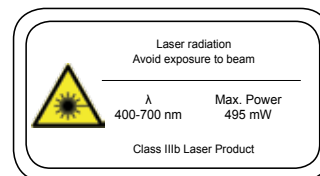


Fiber Coupling Option

System Parameters	Min	Nominal	Max	Unit	Notes
Coupling Efficiency ¹	70			%	
Power Stability			± 2	%	over 8 hours, ± 1.5 °C
Optical Noise			0.2	%	rms, 10 Hz - 2 MHz
Polarization Ratio	100:1				linear
Fiber Type	Polarization-maintaining, single mode fiber				
Fiber Output Connector	FC-APC				
Fiber length	1.5				m

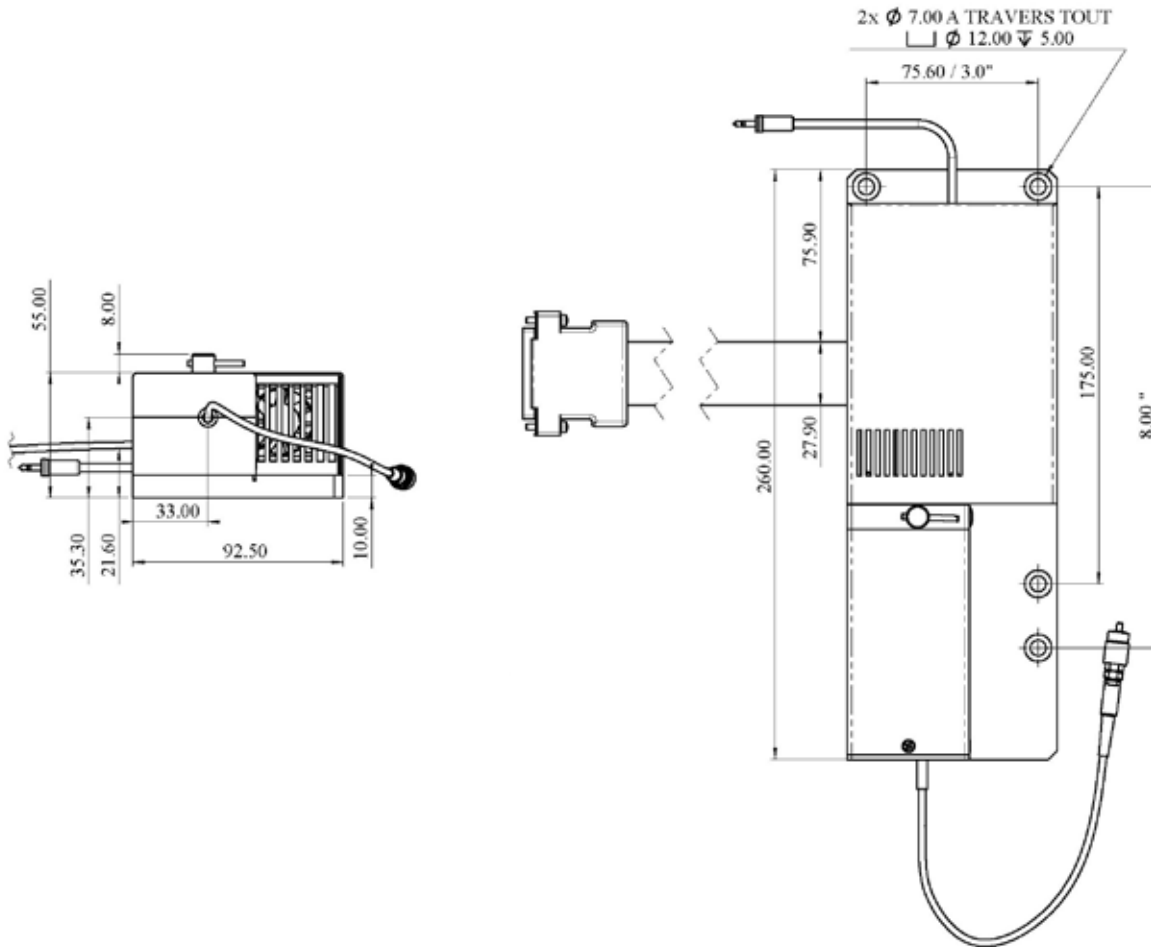
Maximum Environmental Ratings					
Storage Temperature	0		60	°C	non-operating
Relative Humidity	10		90	%	operating, non-condensing

¹ At nominal ambient operating temperature (25 °C). Coupling optimization may be required.



Mechanical Drawings

Fiber Coupling Option for the SLIM



All dimensions in mm

SLIM lasers are registered with FDA. Accession number: 07R0452-001. Oxxius has a policy of continuous product improvement. Specifications may change without notice.

Ordering Information

In order to request a laser, build the product code based on the following criteria:

Wavelength	Mode	Power	Beam Delivery	Package
473	S- for the SLM version	20, 50	-COL	-OE for the OEM version
532	L- for the Low Noise version	50, 100, 150, 300		-PP for the Plug and Play version
561	R- for the Raman version	25, 50, 100, 150, 200		

The fiber coupling option is ordered separately, using the reference SLIM-FC-PM

Contact us:

Corporate headquarters:
Oxxius S.A.

4 rue Louis de Broglie
F-22300 Lannion, France
Phone: +33 296 48 70 28
Fax: +33 296 48 21 90
E-mail: sales@oxxius.com

US sales and support office:
Oxxius Inc.

5201 Great America Pkwy, Suite 320
Santa Clara, CA 95054
Phone: +1 408 426 8021
Fax: +1 408 562 5745
E-mail: sales.us@oxxius.com

www.oxxius.com

Find our distributors' list on the website.